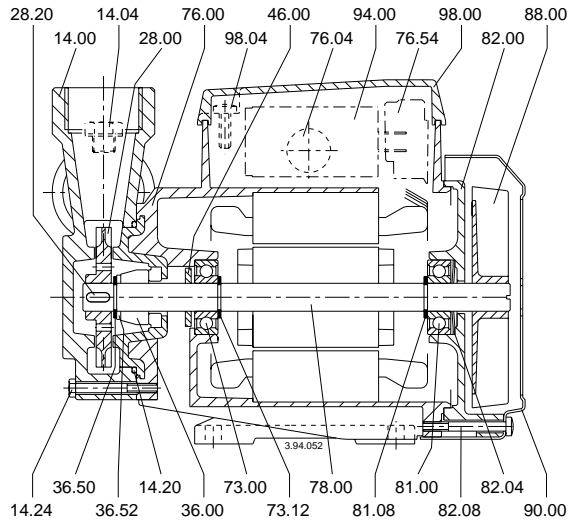
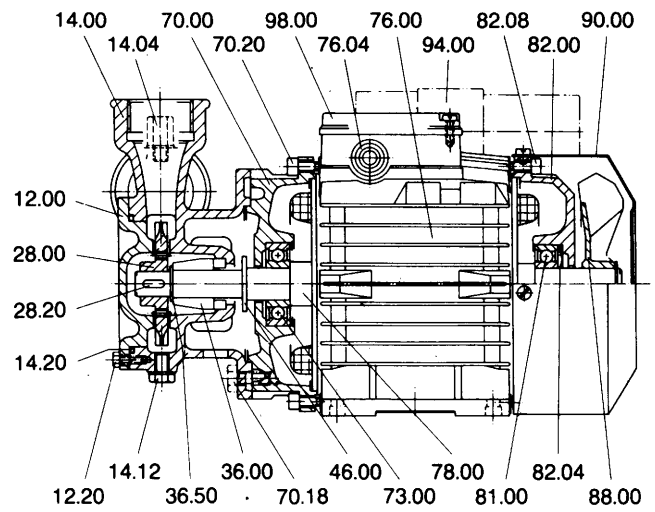


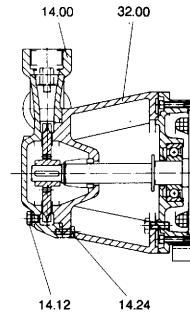
+ Disegni in sezione
 Cross section drawings
 Schnittzeichnungen
 Dessins en coupe
 Planos de sección
 Sprängskiss
 Onderdelentekening
 Σχέδιο διατομής
 +



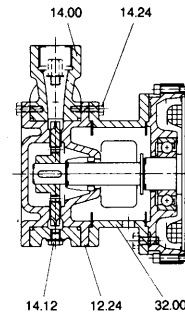
CT 61



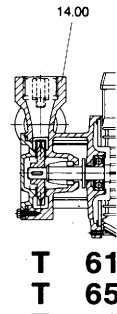
T 76, TP80, T 100, TP 100



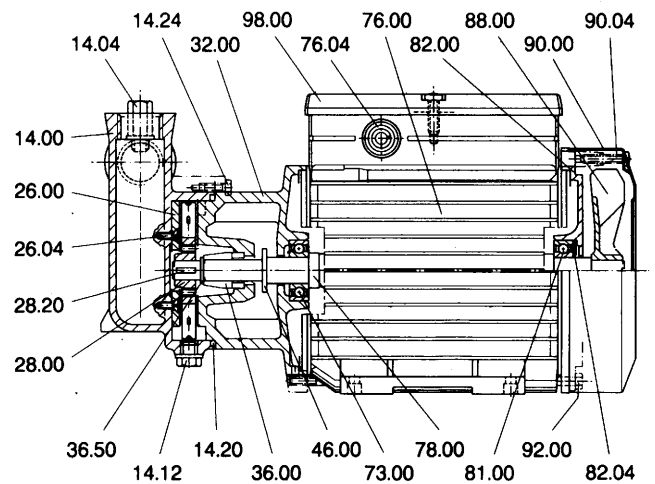
T 125



TP 132



T 61
T 65
T 70
TP 78



CA 60, 80, 90, 91

I DICHIARAZIONE DI CONFORMITÀ

Noi CALPEDA S.p.A. dichiariamo sotto la nostra esclusiva responsabilità che le Pompe CT 61, T, TP, CA, B-..., I-..., ...M, tipo e numero di serie riportati in targa, sono conformi a quanto prescritto dalle Direttive 89/392/CEE, 91/368/CEE, 93/44/CEE, 89/336/CEE, 92/31/CEE, 73/23/CEE, 98/37/CEE.

GB DECLARATION OF CONFORMITY

We CALPEDA S.p.A. declare that our Pumps CT 61, T, TP, CA, B-..., I-..., ...M, with pump type and serial number as shown on the name plate, are constructed in accordance with Directives 89/392/EEC, 91/368/EEC, 93/44/EEC, 89/336/EEC, 92/31/EEC, 73/23/EEC, 98/37/EEC and assume full responsibility for conformity with the standards laid down therein.

D KONFORMITÄTSERKLÄRUNG

Wir, das Unternehmen CALPEDA S.p.A., erklären hiermit verbindlich, daß die Pumpen CT 61, T, TP, CA, B-..., I-..., ...M, Typbezeichnung und Fabrik-Nr. nach Leistungsschild den EG-Vorschriften 89/392/EG, 91/368/EG, 93/44/EG, 93/68/EG, 89/336/EG, 92/31/EG, 73/23/EG, 98/37/EG entsprechen.

F DECLARATION DE CONFORMITE

Nous, CALPEDA S.p.A., déclarons que les Pompes CT 61, T, TP, CA, B-..., I-..., ...M, modèle et numéro de série marqués sur la plaque signalétique sont conformes aux Directives 89/392/CEE, 91/368/CEE, 93/44/CEE, 93/68/CEE, 89/336/CEE, 92/31/CEE, 73/23/CEE, 98/37/CEE.

E DECLARACION DE CONFORMIDAD

En CALPEDA S.p.A. declaramos bajo nuestra exclusiva responsabilidad que las Bombas CT 61, T, TP, CA, B-..., I-..., ...M, modelo y número de serie marcados en la placa de características son conformes a las disposiciones de las Directivas 89/392/CEE, 91/368/CEE, 93/44/CEE, 93/68/CEE, 89/336/CEE, 92/31/CEE, 73/23/CEE, 98/37/CEE.

DK OVERENSSTEMMELSESERKLÆRING

Vi CALPEDA S.p.A. erklærer hermed at vore pumper CT 61, T, TP, CA, B-..., I-..., ...M, pumpe type og serie nummer vist på typeskiltet er fremstillet i overensstemmelse med bestemmelserne i Direktiv 89/392/EEC, 91/368/EEC, 93/44/EEC, 93/68/EEC, 89/336/EEC, 92/31/EEC, 73/23/EEC, 98/37/EEC, og er i overensstemmelse med de heri indeholdte standarder.

P DECLARAÇÃO DE CONFORMIDADE

Nós, CALPEDA S.p.A., declaramos que as nossas Bombas CT 61, T, TP, CA, B-..., I-..., ...M, modelo e número de série indicado na placa identificadora são construídas de acordo com as Directivas 89/392/CEE, 91/368/CEE, 93/44/CEE, 93/68/CEE, 89/336/CEE, 92/31/CEE, 73/23/CEE, 98/37/CEE e somos inteiramente responsáveis pela conformidade das respectivas normas.

NL CONFORMITEITSVERKLARING

Wij CALPEDA S.p.A. verklaren hiermede dat onze pompen CT 61, T, TP, CA, B-..., I-..., ...M, pomptype en serienummer zoals vermeld op de typeplaat aan de EG-voorschriften 89/392/EU, 91/368/EU, 93/44/EU, 93/68/EU, 89/336/EU, 92/31/EU, 73/23/EU, 98/37/EU voldoen.

SF VAKUUTUS

Me CALPEDA S.p.A. vakuutamme että pumppumme CT 61, T, TP, CA, B-..., I-..., ...M, malli ja valmistusnumero tyypikilvcsstä, ovat valmistettu 89/392/EU, 91/368/EU, 93/44/EU, 93/68/EU, 89/336/EU, 92/31/EU, 73/23/EU, 98/37/EU määräysten mukaisesti.

S EU NORM CERTIFIKAT

CALPEDA S.p.A. intygar att pumpar CT 61, T, TP, CA, B-..., I-..., ...M, pumptyp och serienummer, visade på namnplåten är konstruerade enligt direktiv 89/392/EEC, 91/368/EEC, 93/44/EEC, 93/68/EEC, 89/336/EEC, 92/31/EEC, 73/23/EEC, 98/37/EEC Calpeda åtar sig fullt ansvar för överensstämmelse med standard som fastställts i dessa avtal.

GR ΔΗΛΩΣΗ ΣΥΜΦΩΝΙΑΣ

Εμείς ως CALPEDA S.p.A. δηλώνουμε ότι οι αντλίες μας αυτές CT 61, T, TP, CA, B-..., I-..., ...M, με τύπο και αριθμό σειράς κατασκευής όπου αναγράφεται στην πινακίδα της αντλίας, κατασκευάζονται σύμφωνα με τις οδηγίες 89/392/ΕΟΚ, 91/368/ΕΟΚ, 93/44/ΕΟΚ, 93/68/ΕΟΚ, 89/336/ΕΟΚ, 92/31/ΕΟΚ, 73/23/ΕΟΚ, 98/37/ΕΟΚ, και αναλαμβάνουμε πλήρη υπευθυνότητα για συμφωνία (συμμόρφωση), με τα στάνταρς των προδιαγραφών αυτών.

TR UYGUNLUK BEYANI

Bizler CALPEDA S.p.A. firması olarak CT 61, T, TP, CA, B-..., I-..., ...M, Pompalarımızın, 89/392/EEC, 91/368/EEC, 93/44/EEC, 93/68/EEC, 89/336/EEC, 92/31/EEC, 73/23/EEC, 98/37/EEC, direktiflerine uygun olarak imal edildiklerini beyan eder ve bu standartlara uygunluğuna dair tüm sorumluluğu üstleniriz.